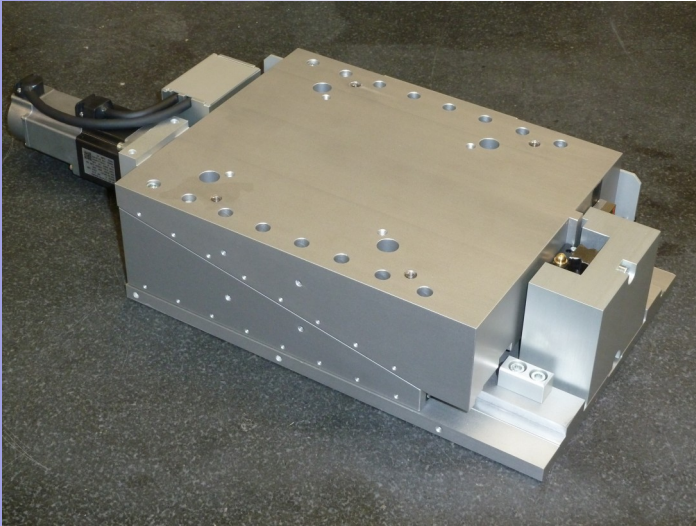


QW-R-10 Z-wedge Lift Stage



- Compact, stiff design
- Servo motor driven
- Optical position feedback
- Crossed roller bearings
- Flat stage top surface
- High reliability
- Travel 10mm

The Q-Sys QW-R-10 stage provides vertical motion for applications where all-round access to the workpiece is required. The compact, stiff design provides a very stable and repeatable platform for payloads up to 20kg and is ideally suited for applications such as autofocus systems.

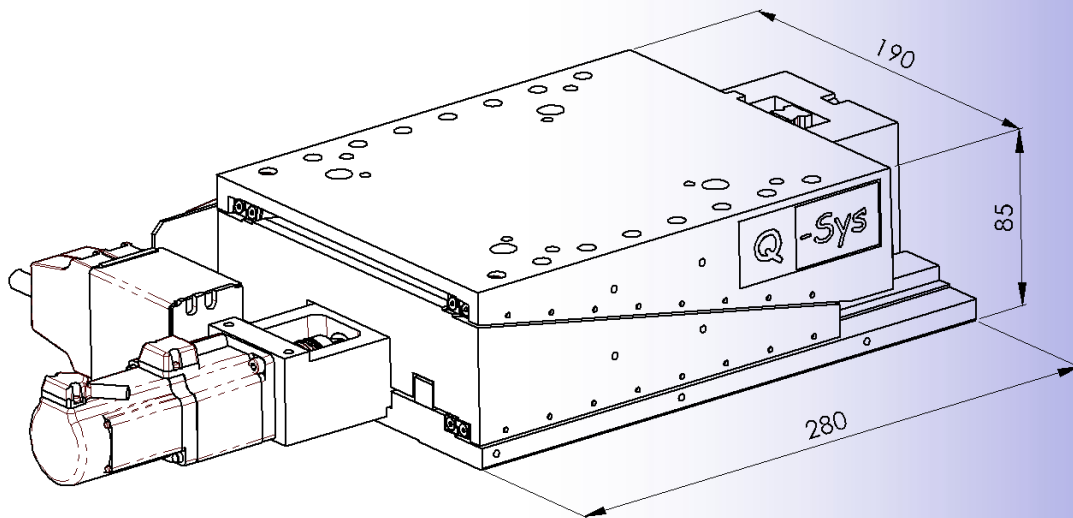
As the lower wedge is driven in and out, the upper section is raised and lowered accordingly. Guidance of the sections is by precision crossed-roller bearings while the vertical motion is constrained by a ground linear rail and carriage. The servo motor driven precision ground ballscrew ensures smooth motion with extremely high repeatability while maintaining high stiffness at all times. A non-contact optical encoder provides direct measurement of stage position.

The stage can be used in isolation or in conjunction with other Q-Sys stages to provide, for example, Z θ or XYZ θ multi-axis configurations.



Specifications

Travel	10 mm
Accuracy	±2 microns
Encoder resolution	Customer specific but typically 0.1 micron or less
Repeatability	< 0.5 micron with resolution 0.1 micron or better
Straightness/ Flatness	±2 micron
Roll, pitch, yaw	±5 arcs per mm
Load capacity	20kg
Velocity	Up to 12mm/sec
Stage weight	5kg



Q-Sys BV

Grasbeemd 15b
5705 DE Helmond
The Netherlands

Tel: +31 (0)492 714434
Fax: +31 (0)492 714435
Email: sales@q-sys.eu

Q-Sys UK

Wakeswood Lodge
St Mary Bourne
Andover SP11 6EW
England

Tel: +44 (0)1264 848245
Mob: +44 (0)7810 124425
Email : sales@q-sys.eu

